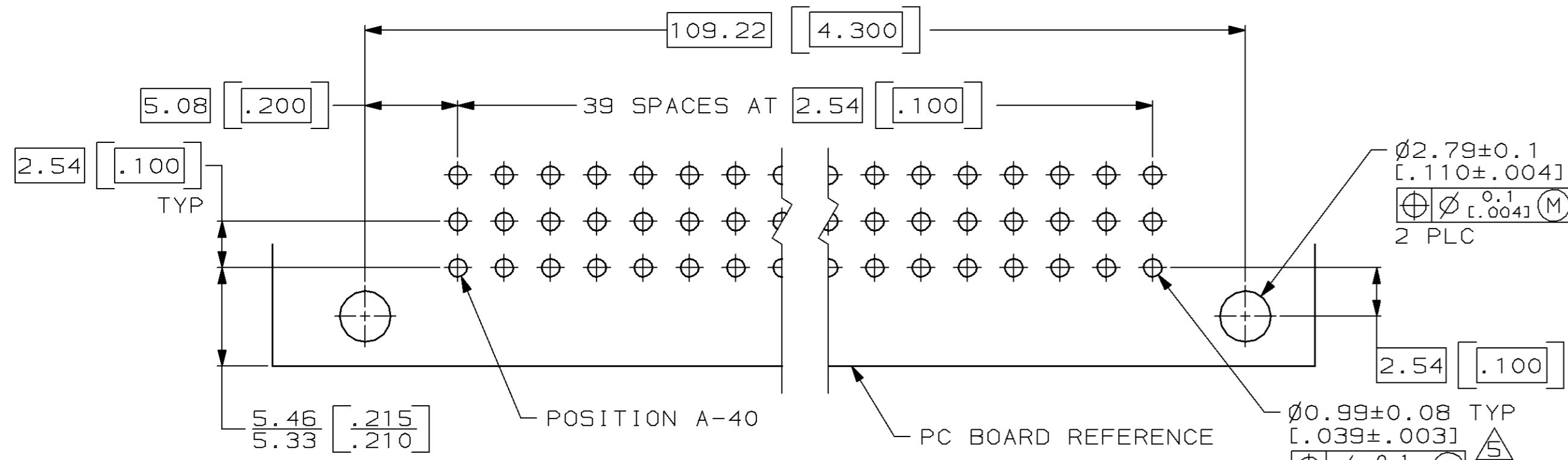
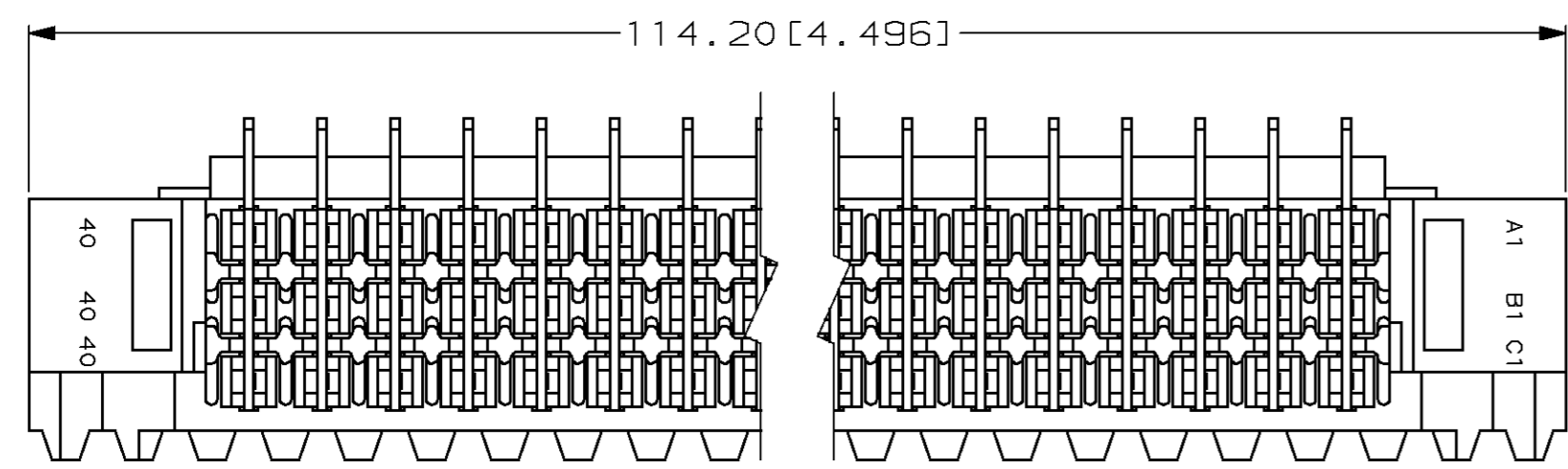
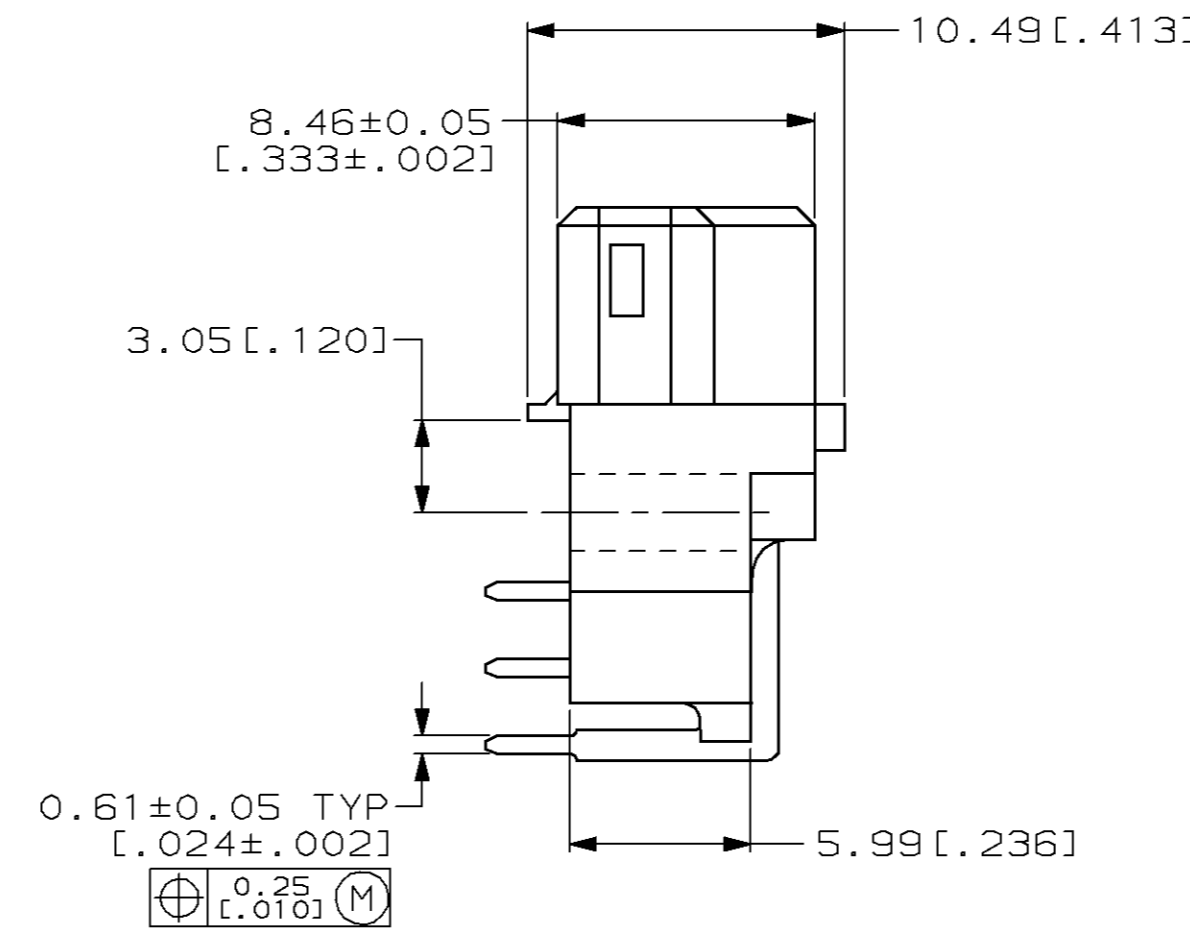
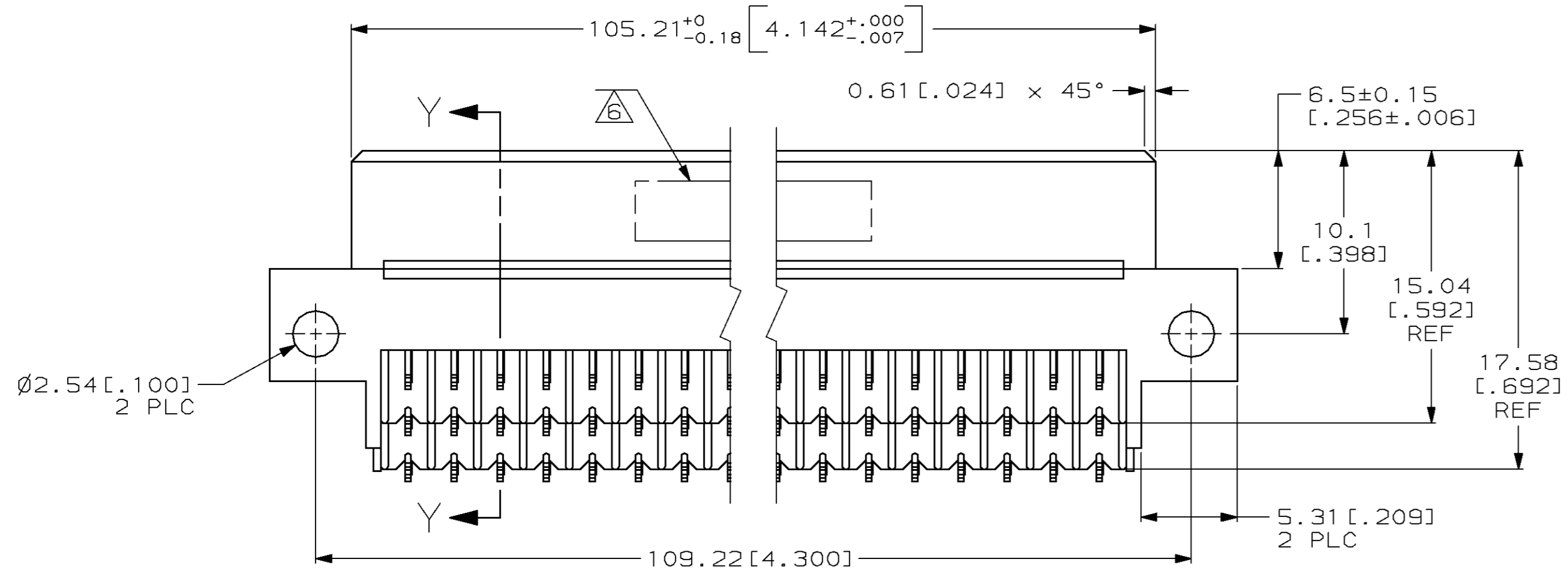
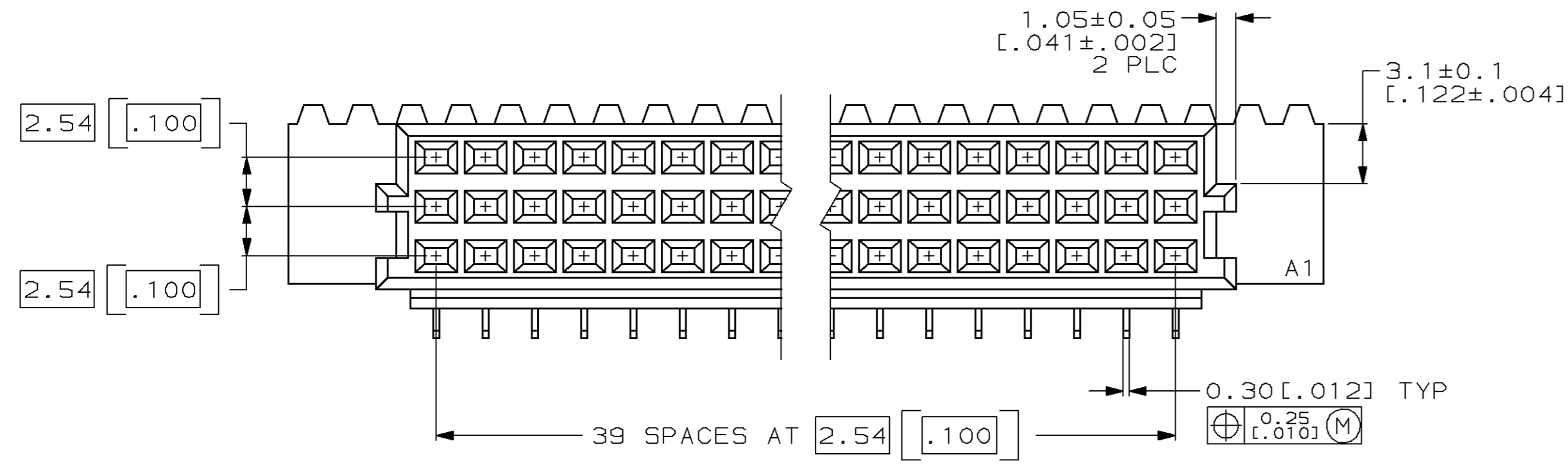
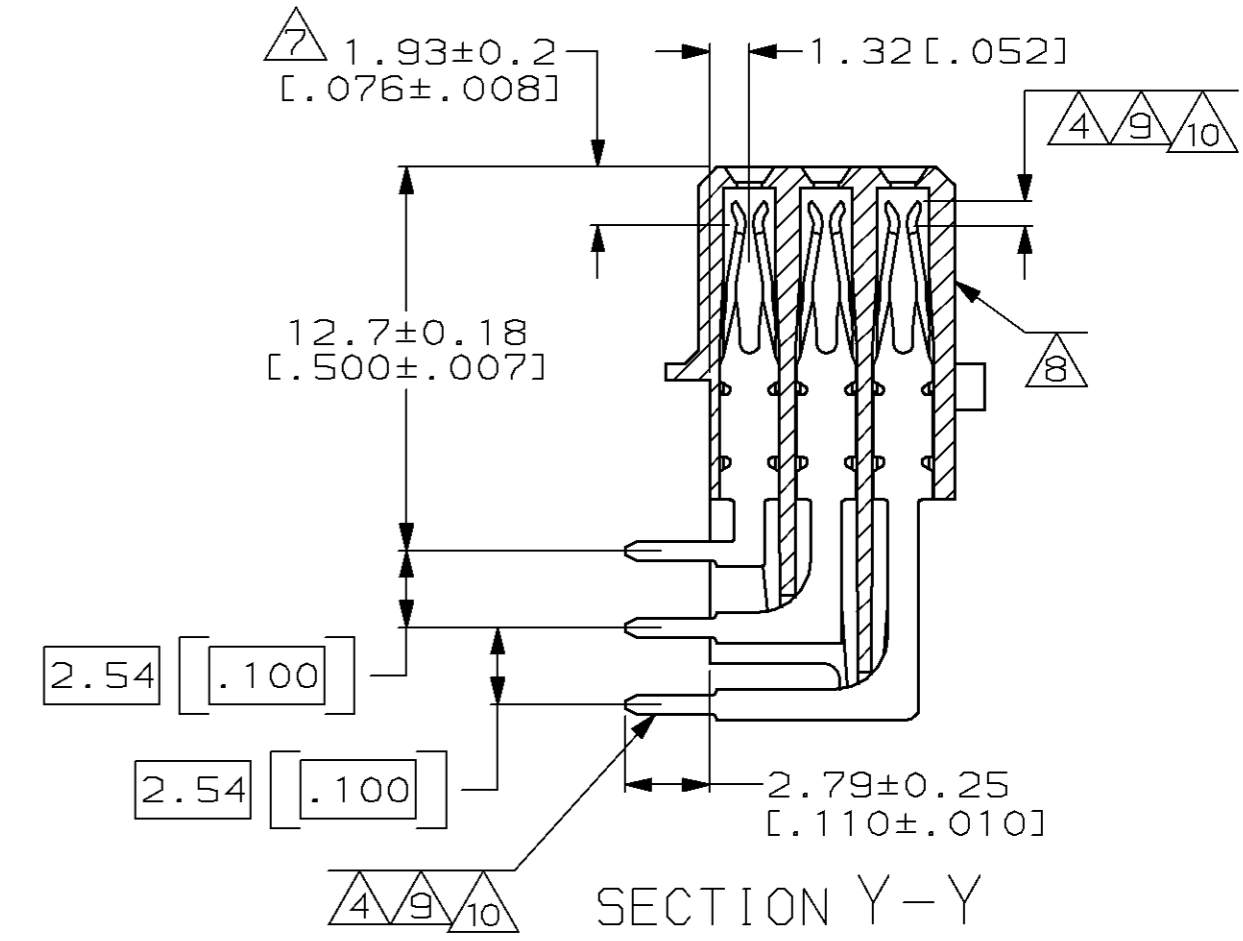


LOC	DIST	P	F	ZONE	LTR	REVISIONS		
						DESCRIPTION	DATE	APPD
					K	EC 0010-1457-95	1/18/96	CR
					L	EC 0010-0318-96	4/1/96	CR
					M	EC 0010-1469-95	4/1/96	CR
					N	EC 0010-0895-96	6/24/96	CR



1. DIMENSIONS IN BRACKETS ARE IN INCHES.
2. HOUSING MATERIAL: GLASS-FILLED POLYESTER. COLOR: GRAY.
3. CONTACT MATERIAL: PHOSPHOR BRONZE.
4. CONTACT FINISH: 0.00076 [.000030] GOLD IN CONTACT AREA. 0.00127 [.000050] NICKEL UNDERPLATE ALL OVER. TIN-LEAD ON POSTS.
5. RECOMMENDED HOLE SIZE FOR MANUAL APPLICATION OF CONNECTOR ONTO PC BOARD.
6. PART NUMBER, DATE CODE IDENTIFICATION, CSA LOGO HOT-STAMPED THIS APPROXIMATE AREA.
7. CONTACT POINT.
8. HOT-STAMPING ON THIS SIDE.
9. CONTACT FINISH: DIN 41612 CLASS 3 IN CONTACT AREA. TIN-LEAD ON POSTS.
10. CONTACT FINISH: DIN 41612 CLASS 2 IN CONTACT AREA. TIN-LEAD ON POSTS.



NOTES	POSITIONS LOADED	C	B	A	NO. OF LOADED POSITION	ASSY PART NUMBER
SUPERSEDED BY 650874-4	1 THRU 40	X	X	X	120	650874-9
	1 THRU 40	X	X	X	120	650874-5
	1 THRU 40	X	X	X	120	650874-4

DO NOT SCALE PRINT. UNLESS SPECIFIED DIMENSIONS IN mm [INCHES] TOLERANCES ON: 1. PLC DEC ± - 2. PLC DEC ± 0.13 [.005] ANGLES ± -	DR L. BRINER 7/25/90 CHK N. DRASHER 12/19/91 APPD N. DRASHER 12/19/91 MATERIAL HOUSING: 2 CONTACT: 3 FINISH CONTACT: 4, 9, 10	7/25/90 12/19/91 12/19/91 12/19/91	AMP INCORPORATED Harrisburg, Pa. 17105
NAME RECEPTACLE ASSEMBLY, EUROCARD, TYPE R, 120 POSITION		SIZE D 00779	DRAWING NO 650874
APPLICATION SPEC	SCALE 4:1	CAGE CODE 00779	SHEET 1 OF 1